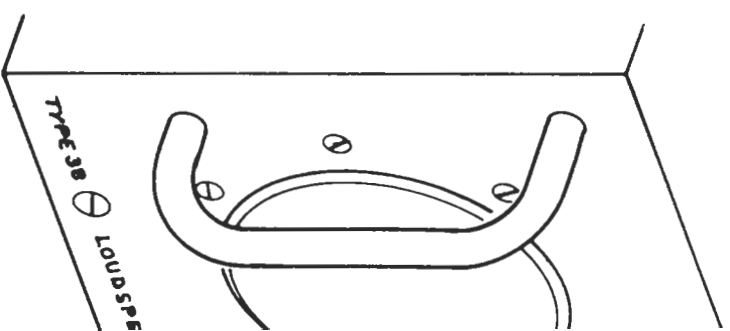


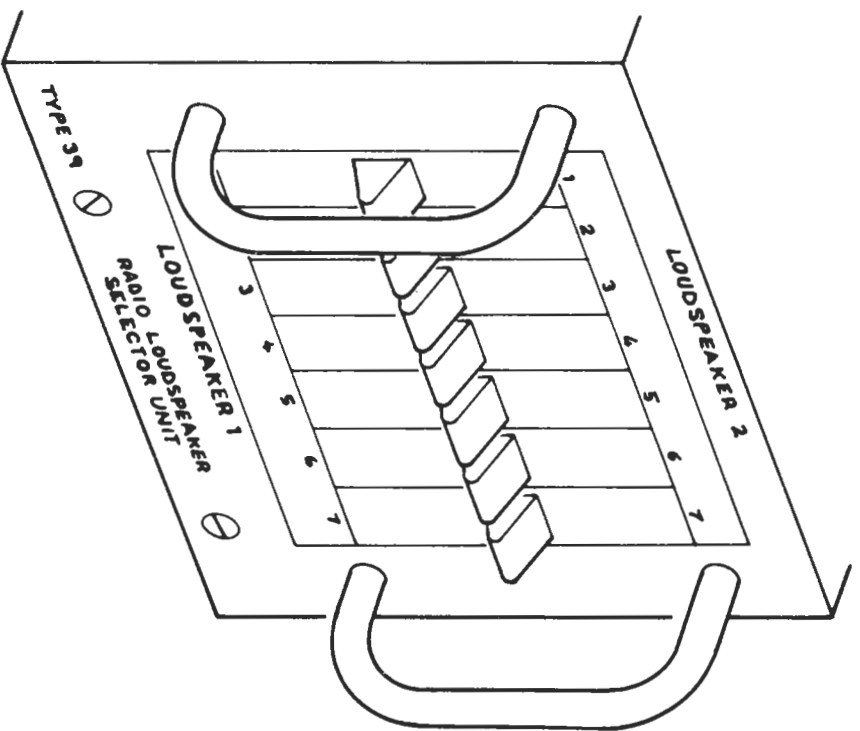
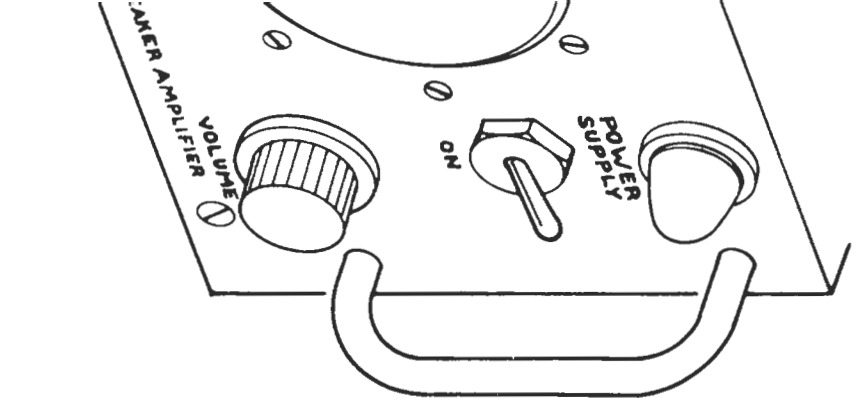
(a) C.C.U. RADIO FREQUENCY SELECTION (REMOTE)



(b) C.C.U. LOUDSPEAKER

C. AND M. C.C.U. REMOTE

LOUDSPEAKER



AKER AND AMPLIFIER

(c) C.C.U. LOUDSPEAKER SELECTOR UNIT